

4

3

DWG NO.

SH

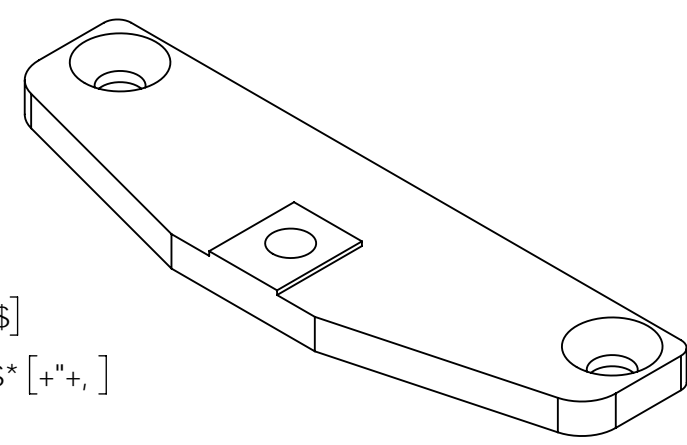
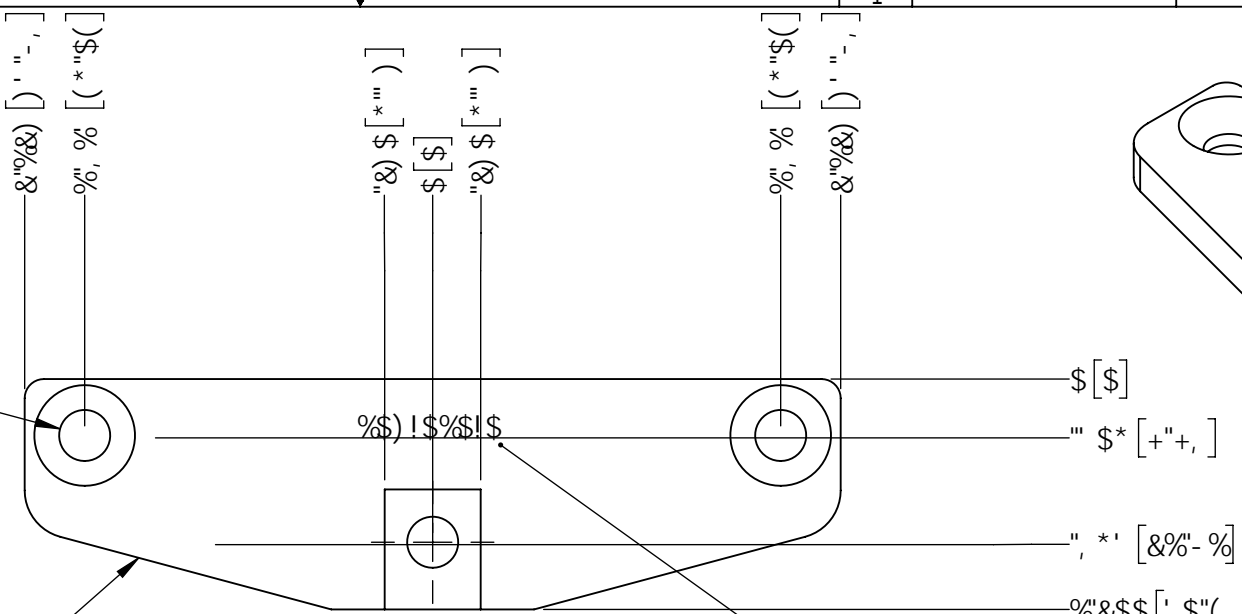
REV

1

D

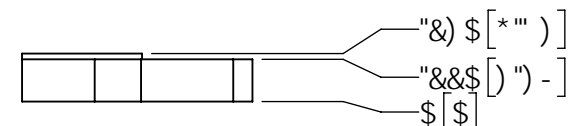
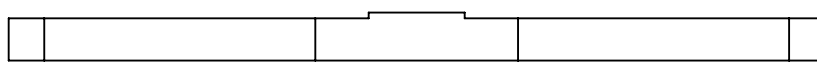
D

&L ∅ "&* * [*"+*] ∇ "" &\$ [% "+)]
✓ ∅ ") ++ [% (" (' L , &š

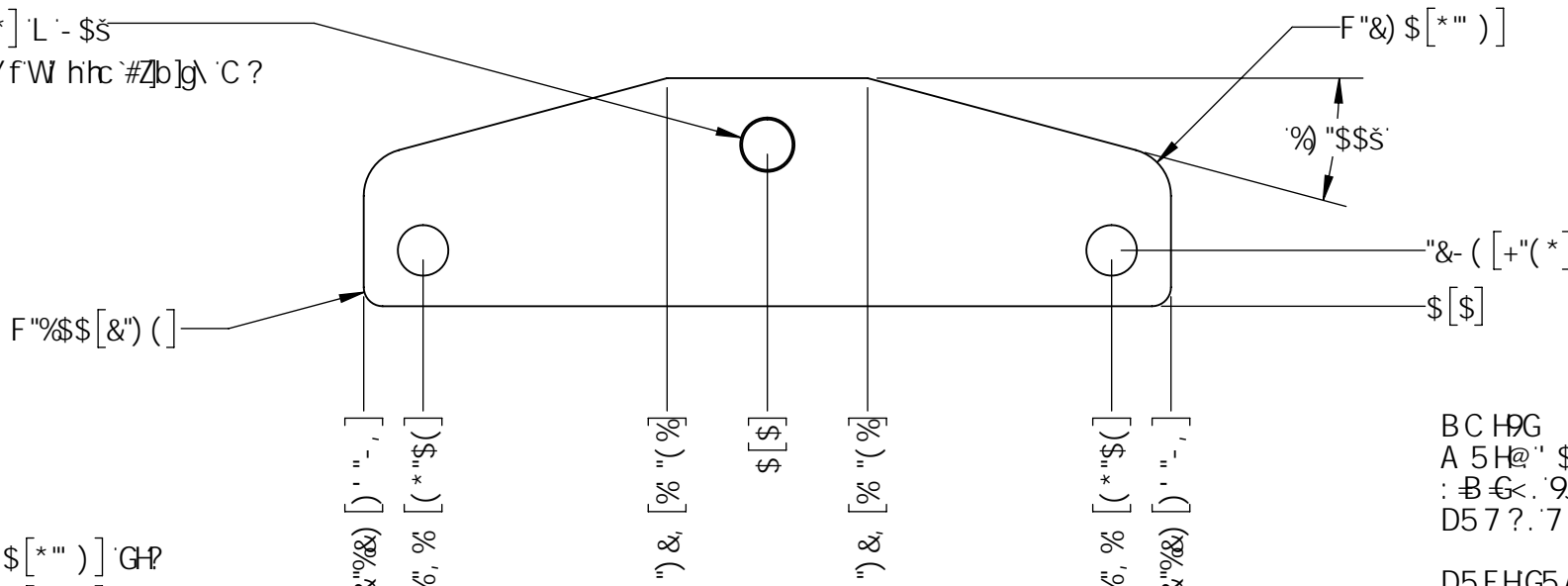


DFC : @ 5B8 'H<FI ' <C @G @5 G9F '7I HHC @9F5B79
5B8 : B G< '577 9DH56@

G-5A D'D5FHBI A 69F
'K <9F9'G<C K B

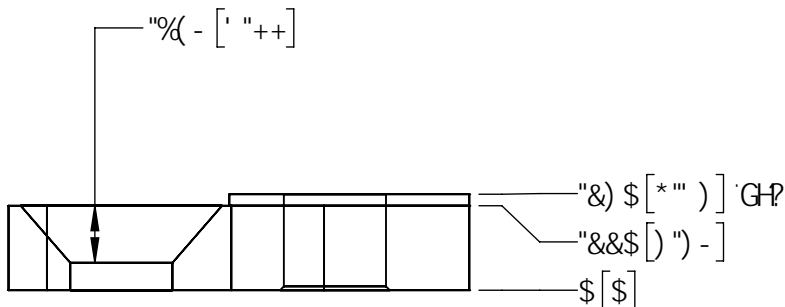


∅ "&* * 'H<FI
✓ ∅ "& , * [+&*] 'L ' - \$š
7 YUfUbWV Zc f%#(!&\$ `UgYf'W htc #Z|b|g\ 'C ?



BC H9G
A 5H@' '\$ ('G'G'
: B G< . 9J 9B 'H A 6@8 : B G< : F99'C : '6I FFG
D57 ? . 7 @95B #8FM

D5FHG5A 9'5GL *6'A C I BHD@5H9'%F8!&



1b Ygg Ch\Yfkl gY GdYWZlYX

PROPRIETARY NOTICE: THE INFORMATION CONTAINED IN THIS DRAWING IS THE SOLE PROPERTY OF JOESCAN IT IS NOT TO BE USED, REPRODUCED, OR DISCLOSED IN WHOLE OR IN PART TO ANYONE WITHOUT THE WRITTEN PERMISSION OF JOESCAN CORPORATION

APPROVALS		DATE
DFT:		
CHK:		
ENG: J.KOLLMANN		5/5/2022
APR:		

1b Ygg Ch\Yfkl gY GdYWZlYX

! 8| aYbg| cbg' Udd' m UzhYf ' Z| b| g\
! 6fYU_ U'' g\Ufd' WefbYfg' hc' A| b' s'' ss%z' ALI' s'' s'' s''
! 8c' bch' aUW| bY' gheW' g| nYg
! 5'' ' aUW| bYX gi fZUWg' hc' VY' %'' ' fFACL
cf' VhhYf
' FX 5b| ' Y Df' c^YWh| t8c' bch' gWU' Y' XfUk| b|
! 8| aYbg| cbg'
UfY | b' | bWYg

JoeScan

TITLE PA00105-010-00_ X6B mount one hole

SIZE B	CAGE NO.	DWG. NO. PA00105-010-00	REV \$
SCALE = NONE	WT:		SHEET 1 OF 1

4

3

2

1

A

A