

JS-50 WSC

spec sheet

SINGLE CAMERA

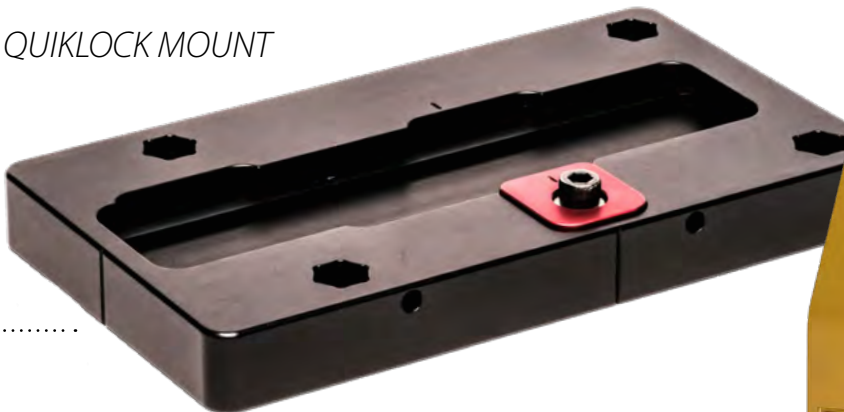
SMALL FOOTPRINT 3D LASER SCANNER

SHOWN HERE ACTUAL SIZE

SINGLE CABLE POE



QUICKLOCK MOUNT



PULSED LASER

MADE FOR SAWMILLS



JS-50 WSC

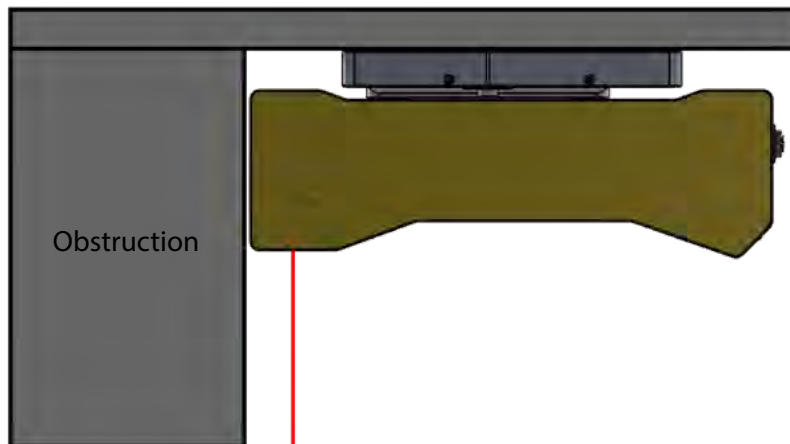
spec sheet

MADE FOR SAWMILLS

	NEAR	FAR	
DATA	Resolution	$\pm 0.005"$ ($\pm 0.13\text{mm}$)	$\pm 0.02"$ ($\pm 0.5\text{mm}$)
	Density	72 points per inch (28 points per cm)	23 points per inch (9 points per cm)
	Max Speed	2000 profiles per second	
	Points per Profile	Up to 1456	
GENERAL	Power	IEEE 802.3 af Power over Ethernet	
	Laser Type	Pulsed, Class 3R	
	Laser Color	Visible red	
	Computer	Single standard PC per system	
	Data Interface	Gigabit Ethernet, M12 connector	
	Weight	2.78 lbs (1.26 kg)	
	Operating Temp	0° to 120°F (-20° to 50°C)	
	Storage Temp	-40° to 176°F (-40° to 80°C)	
Lighting	Fully operational between indoor lighting (no sunlight) and complete darkness		

SCANNING WHERE YOU NEED IT

JS-50 WSC is a single camera variant of the JS-50 WX scan head in a smaller housing. It is intended to be used in applications where other scanners are too large to fit.



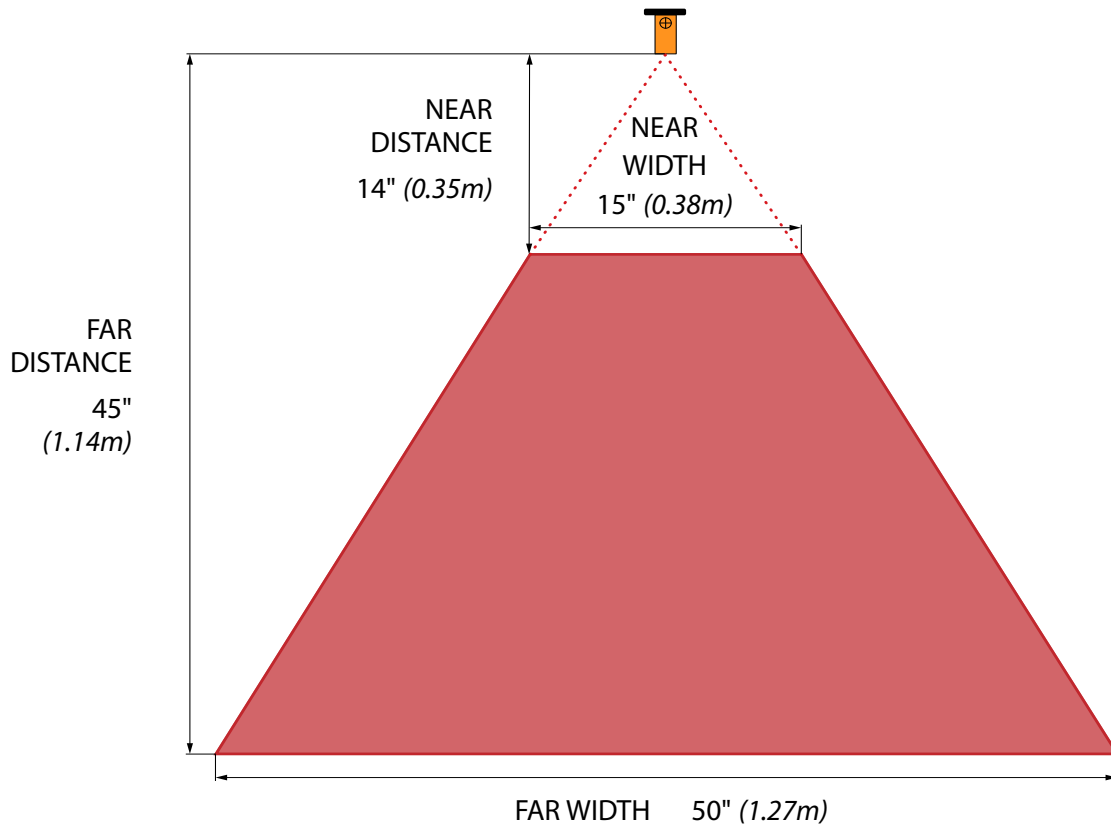
For example, the JS-50 WSC can be mounted such that the laser projects just 1 inch from an obstruction to the scan frame, such as a saw box.



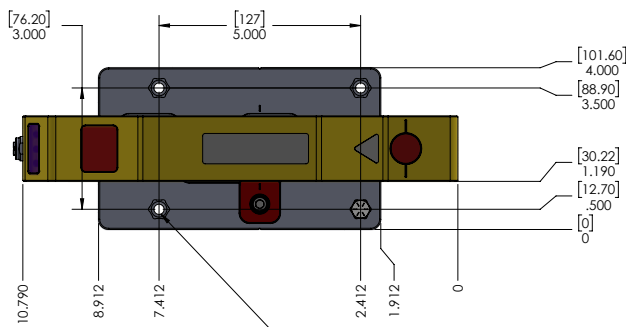
JS-50 WSC

spec sheet

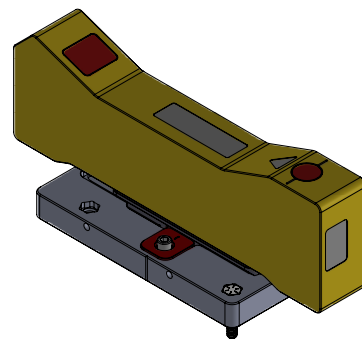
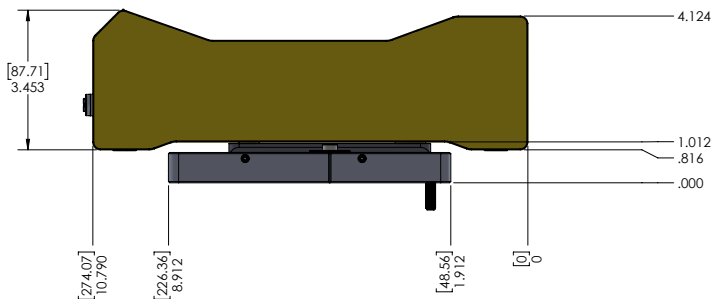
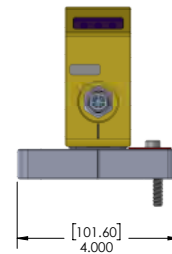
MADE FOR SAWMILLS



JS-50 WSC can collect data outside of these ranges with reduced specs



mounting holes will accept either 1/4-20 hex head captive or 1/4-20 SHCS for mounting to tapped base surface.



3D MODELS AVAILABLE AT JOESCAN.COM

JS-50 WSC

spec sheet

MADE FOR SAWMILLS



JS-50 WSC

JS-50 WX

5 YEAR WARRANTY
10 YEAR SUPPORT
LIFETIME COMMITMENT

At JoeScan, we make scanners for sawmills.

Our only focus is to deliver results for our sawmill partners. We have more than 5,000 scanners installed in sawmills all over the world, and our very first scanners are still running strong, over 20 years later.

Since 2002, we've learned what works for sawmills.

We keep our solutions simple.

We make sure that everything we make can stand up to the rigors of the sawmill environment, day after day, year after year.

And we work hard to deliver cost-effective scanning solutions for the sawmill industry.

Because we are committed to serving our partners, JoeScans are made for sawmills. If you'd like to become one of our partners, we are ready to prove it to you.

Let's chat.

2311 E 1st Street
Vancouver, WA, USA 98661
+1.360.993.0069
info@joescan.com